

# BUTLER

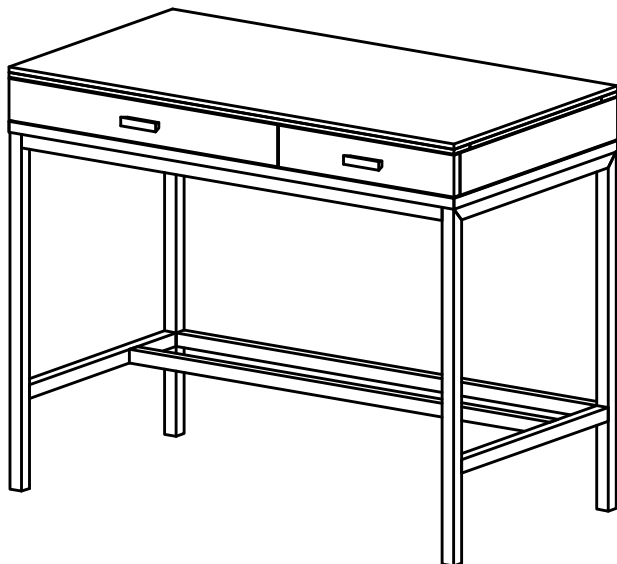
Assembly Instructions

5553419

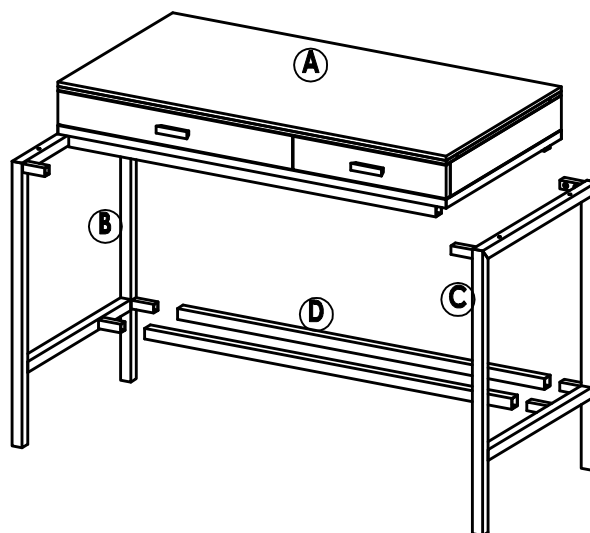
Desk

SPECIALTY COMPANY

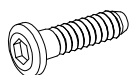
8200 SOUTH CHICAGO AVE. CHICAGO, IL 60617



ITEM	DESCRIPTION	QUANTITY
A	Table Top	1
B	Left Leg	1
C	Right Leg	1
D	Stretcher	2



## hardware



H1 x 20  
Bolts m6x15mm



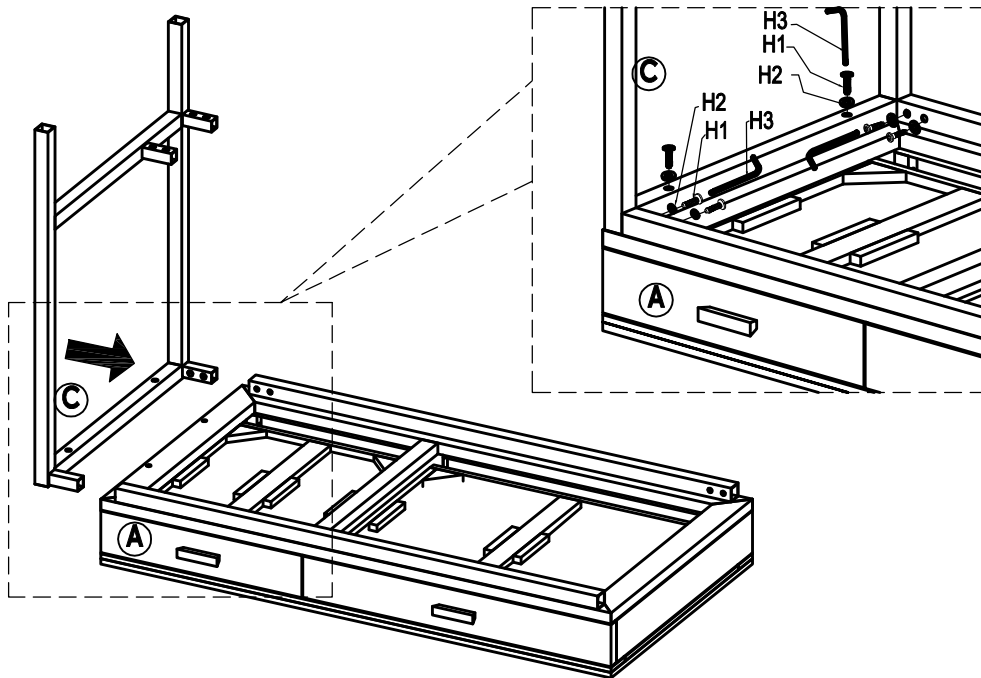
H2 x 20  
Spring Washers m6 Ø13



H3 x 1  
Allen Key m4

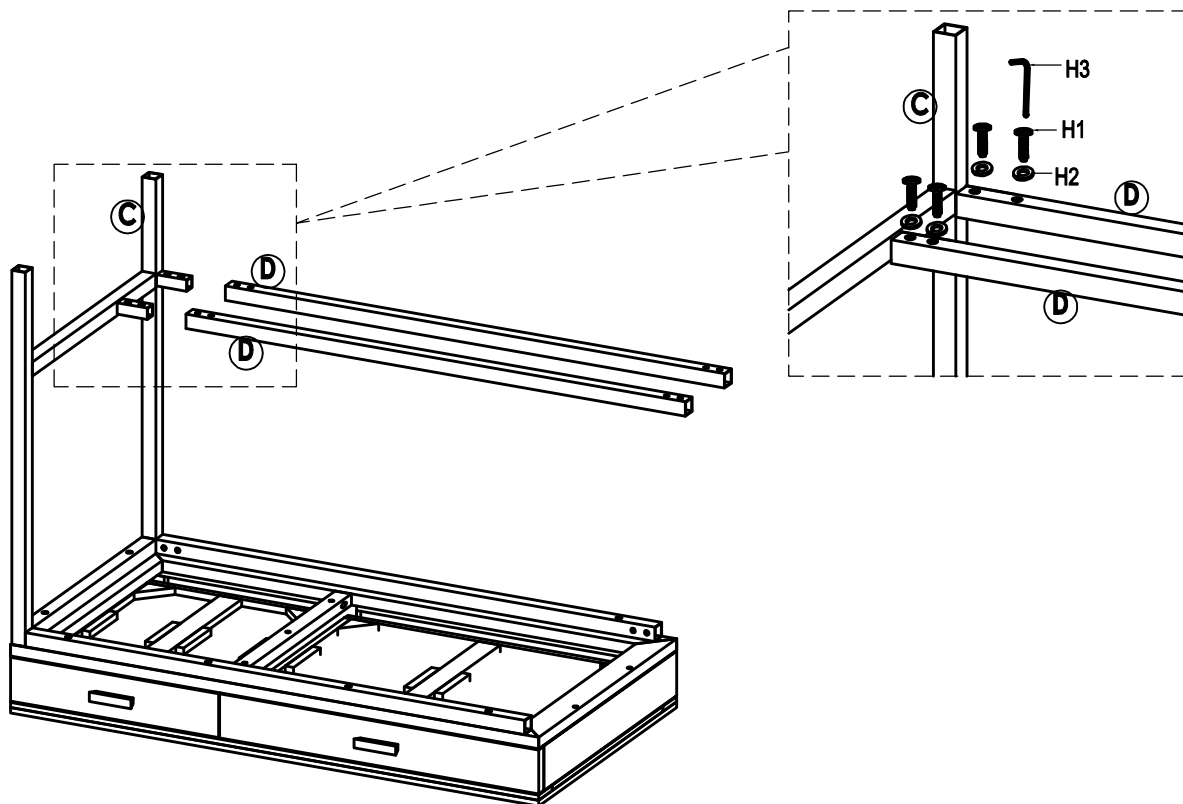
**STEP 1**

Lay the Table Top (A) up side down, attach the Right Leg (C) to the Table Top (A) then secure with using bolts (H1) and Spring Washer (H2) . Do Not Fully tighten all bolts yet.



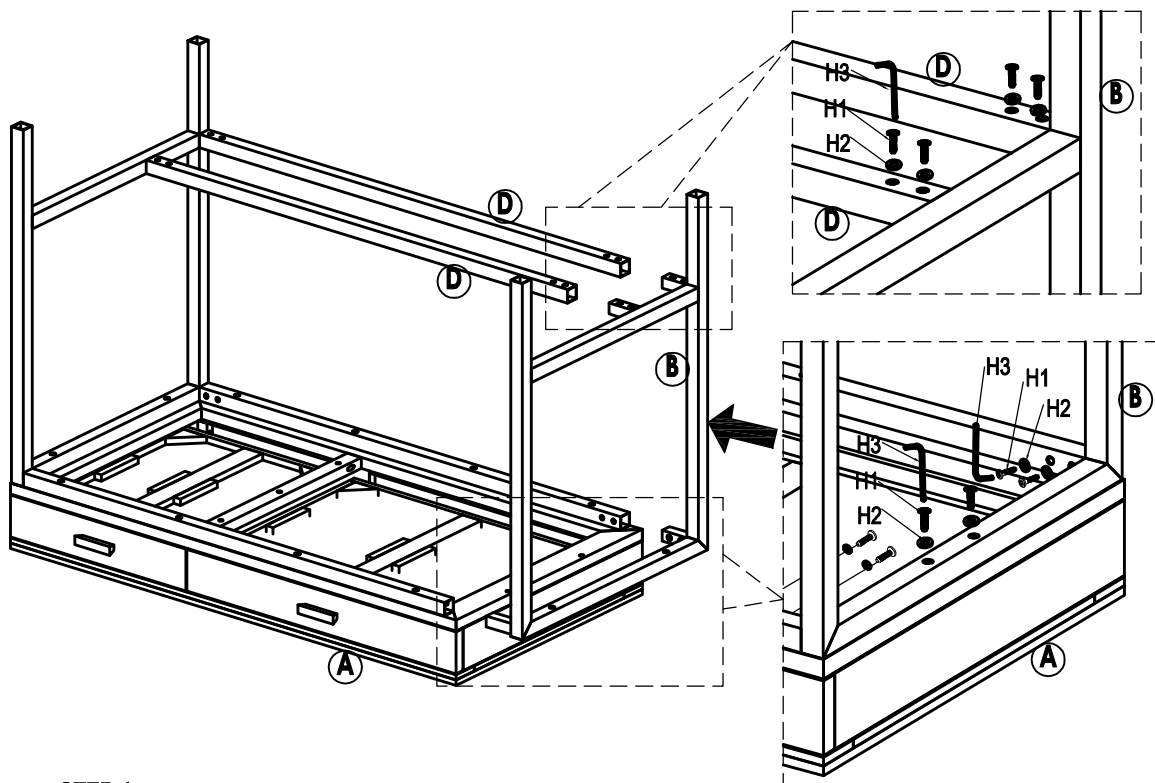
**STEP 2**

Attach Stretcher (D) to Right Leg (C) . Secure Stretcher (D) with Bolts (H1) and Spring Washer (H2) . Do not fully tighten all bolts yet.



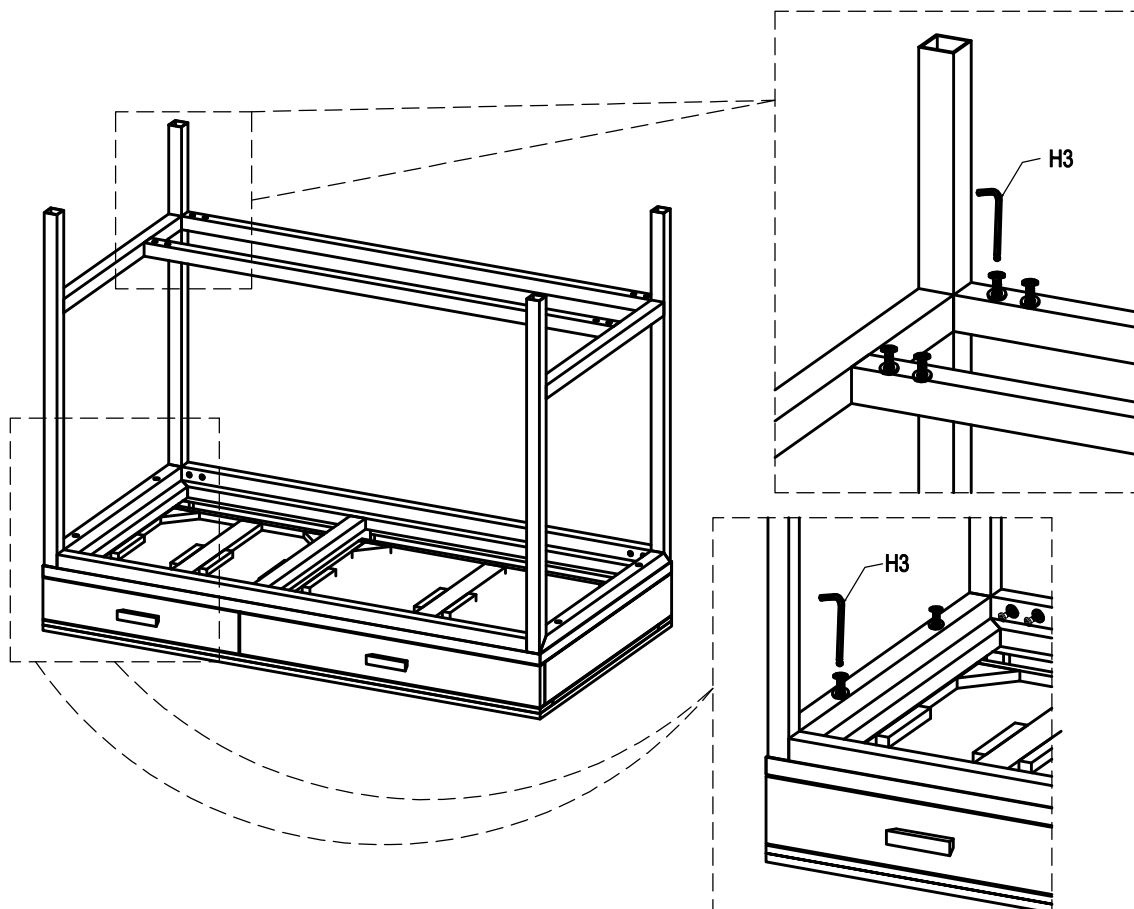
**STEP 3**

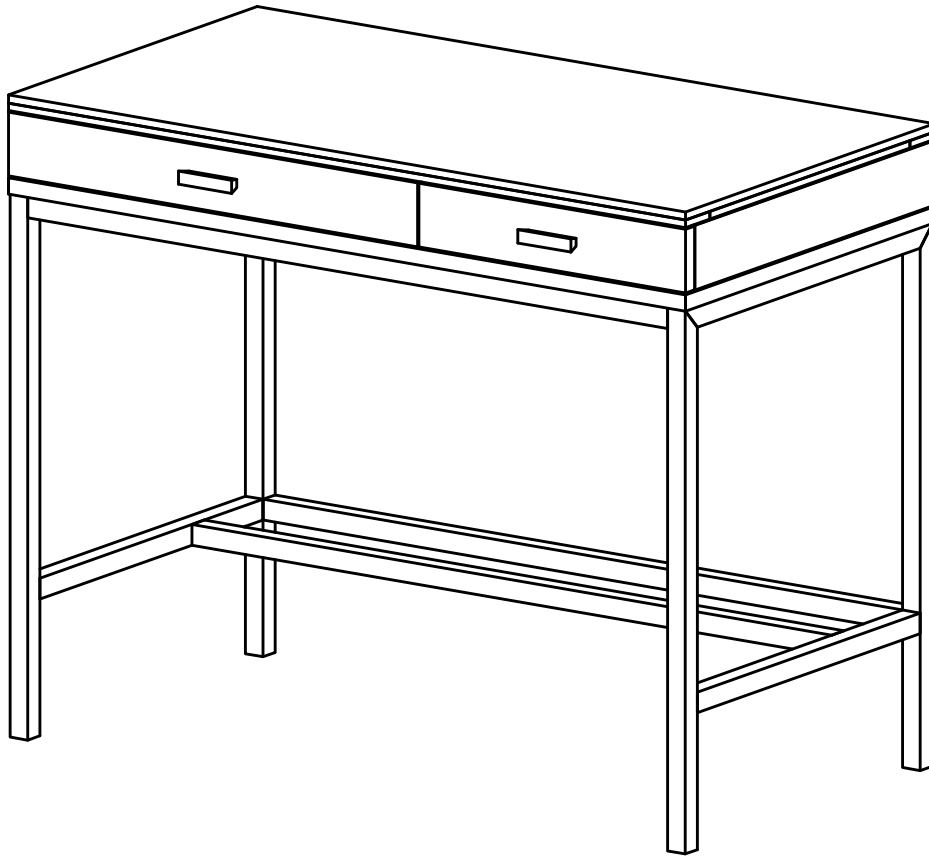
Attach the Left Leg (B) to the Table Top (A) and Stretcher (D). Secure the Left Leg (B) with Bolts (H1) and Spring Washer (H2). Fully tighten all bolts using Allen Key (H3).



**STEP 4**

Fully tighten all Allen Bolts (H-1) on the Right Leg (C) using Allen Key (T-1)





**Congratulations**

**Assembly complete, Your Desk is ready to use**

**(\*) Caution : DO NOT OVERTIGHTEN**

**In any correspondence regarding this product, please include the complete Butler identification number located on the underside of the product.**

**We hope this product will be a useful and decorative addition to your home for years to come**

**Copyright© Butler Specialty Company, 10 / 20**